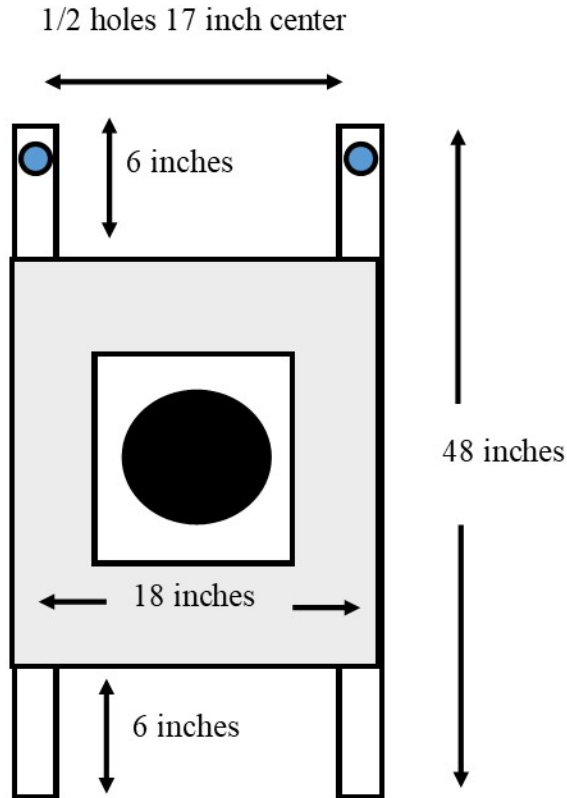


The Only Approved Target Frame



Materials Required

(2) 48 inch 1" x 2" Boards

(1) 18 inch wide by 35 inch long or less, piece of cardboard

(staples, glue, or screws)

Drill 1/2 inch holes about 2 inches from the end of each 48 inch 1" x 2" board. Then attach with screws, staples or glue a piece of 18 inch wide cardboard to the two boards. Staple target to the cardboard and you are done.

Be sure to space the holes in the boards 17 inches on center before attaching the cardboard to the boards.

Law Enforcement and Pistol Range Target Holders



Rifle Range Target Holders

